

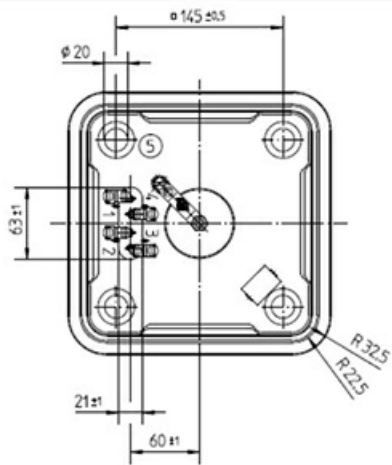
1102010

ELECTRIC PLATE 4000W-440V 300X300

Date: 04-04-2025



Technical data



DEPTH MM	L=300mm
WIDTH MM	P=300mm
WATT	W=4000
KILOWATT KW	KW=4
DRY HEATING ELEMENT	SECCO/DRY

