

1201042

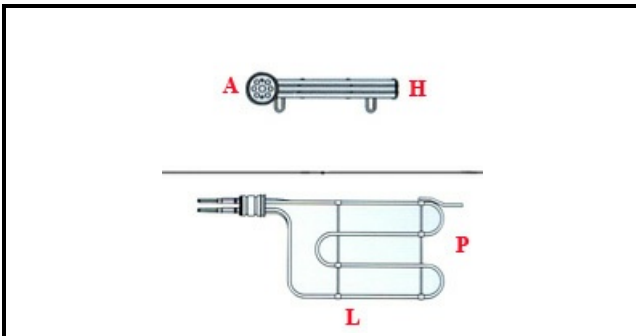
HEATING ELEMENT F18 15900W 3-230V (T)

Date: 09-04-2025



ORIGINAL
OSP
SPARE PARTS

Technical data



ELEMENTS	ELEMENTI/ELEMENTS=3
KILOWATT KW	KW=15,9
WATT	WATT=15900
THREE PHASE	TRIFASE/THREEPHASE
NUMBER OF POLES	POLI/POLES=6
IMMERSION HEATING ELEMENTS	IMMERSIONE/IMMERSION

Manufacturer code

LOTUS SPA