

1201058

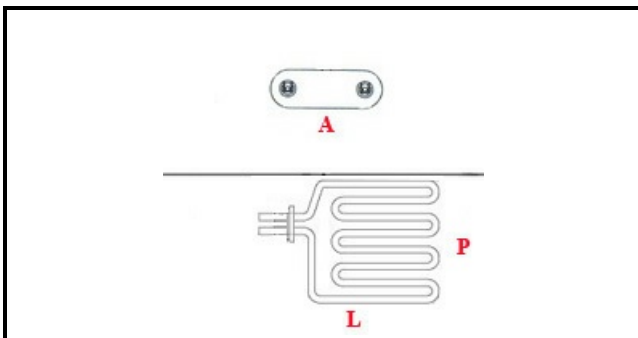
# HEATING ELEMENT TANK 220-240V 2,4KW

Date: 05-04-2025



ORIGINAL  
**OSP**  
SPARE PARTS

## Technical data



DEPTH MM	L=140mm
WIDTH MM	P=170mm
ELEMENTS	ELEMENTI/ELEMENTS=1
SQUARE FLANGE	RETTANGOLARE/RECTANGULARE
DIAMETER mm	A=50X27mm
KILOWATT KW	KW=2,4
WATT	WATT=2400
MONOPHASE	MONOFASE/MONOPHASE
NUMBER OF POLES	POLI/POLES=2
IMMERSION HEATING ELEMENTS	IMMERSIONE/IMMERSION
EXPANSION FLANGE	A=50X27mm

## Manufacturer code

ARISTARCO / KASTEL S.P.A.