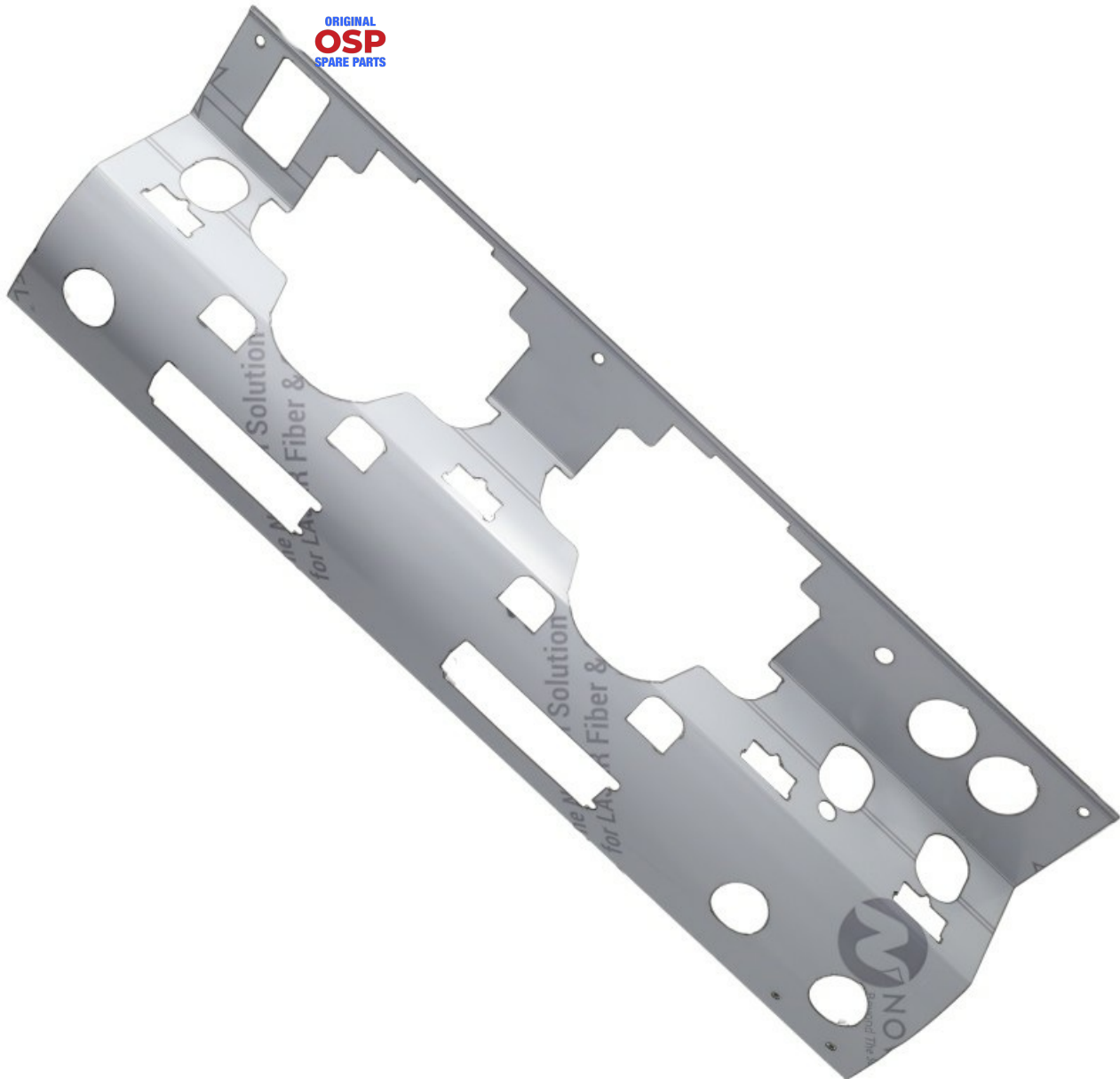


4116735

# CONTROL PANEL 2GR.C5 USB MY21-AI-

Date: 08-04-2025



## Manufacturer code

RANCILIO GROUP SPA CON SOCIO UNICO