

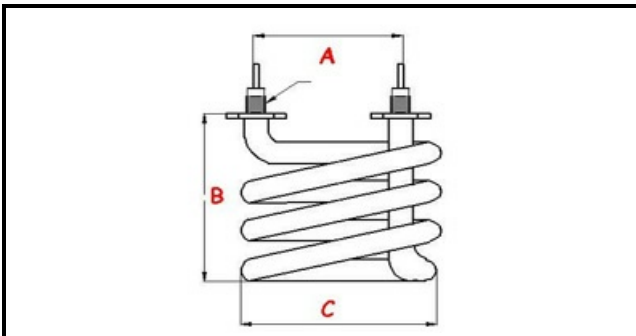
1101711

HEATING ELEMENT ROBOCAF W1000 V230 M10X1

Date: 23-02-2025



Technical data



DEPTH MM	C=80mm
WIDTH MM	C=80mm
HEIGHT MM	B=55mm
ELEMENTS	ELEMENTI/ELEMENTS=1
INTERAX mm	A=35mm
DIAMETER mm	Ø= 8mm
KILOWATT KW	KW=1
WATT	WATT=1000
MONOPHASE	MONOFASE/MONOPHASE
THREAD MA	M10X1
NUMBER OF POLES	POLI/POLES=2
GASKET	2102041
IMMERSION HEATING ELEMENTS	IMMERSIONE/IMMERSION