

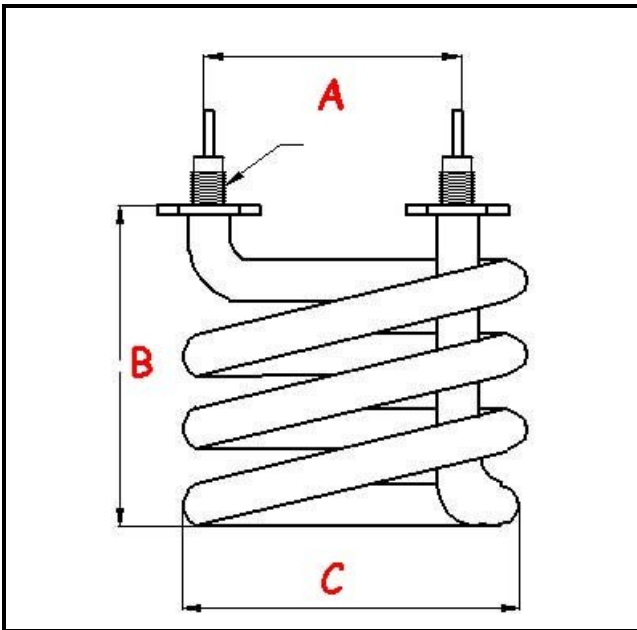
1101797

FAMILY HEATING ELEMENT MACHINE 1000W 230V

Date: 12-04-2025



Technical data



DEPTH MM	C=53mm
HEIGHT MM	H=63mm
ELEMENTS	ELEMENTI/ELEMENTS=1
INTERAX mm	A=43mm
DIAMETER mm	Ø=10mm
KILOWATT KW	KW=1
WATT	WATT=1000
MONOPHASE	MONOFASE/MONOPHASE
NUMBER OF POLES	POLI/POLES=2
IMMERSION HEATING ELEMENTS	IMMERSIONE/IMMERSION