

1101848

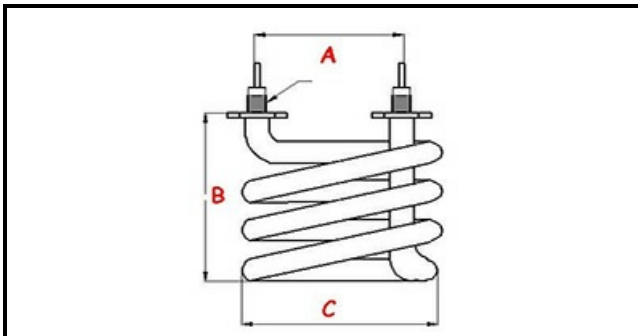
# HEATING ELEMENT 5LT 2700W-230V

Date: 07-04-2025



ORIGINAL  
**OSP**  
SPARE PARTS

## Technical data



HEIGHT MM	B=200mm
ELEMENTS	ELEMENTI/ELEMENTS=1
INTERAX mm	A=50mm
DIAMETER mm	Ø=16mm
KILOWATT KW	KW=2,7
WATT	WATT=2700
MONOPHASE	MONOFASE/MONOPHASE
NUMBER OF POLES	POLI/POLES=2
GASKET	2102606
IMMERSION HEATING ELEMENTS	IMMERSIONE/IMMERSION
EXTERNAL DIAMETER mm	C=111mm

## Manufacturer code

LA SPAZIALE SPA