

1105450

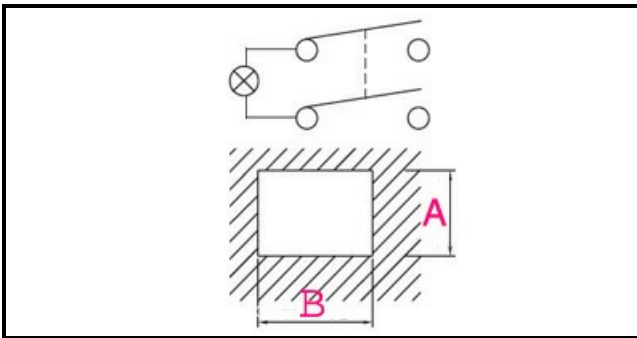
# ON/OFF SWITCH WITH LED

Date: 05-04-2025



ORIGINAL  
**OSP**  
SPARE PARTS

## Technical data



DEPTH MM	B=28mm
WIDTH MM	A=22mm
NUMBER OF POLES	POLI/POLES=4
NUMBER OF POSITIONS	0-1
COLOR	NERO CON LED/BLACK WITH LED
VOLT	230V

## Manufacturer code

RANCILIO GROUP SPA CON SOCIO UNICO