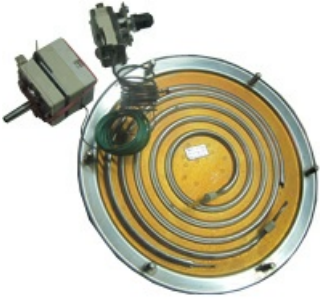


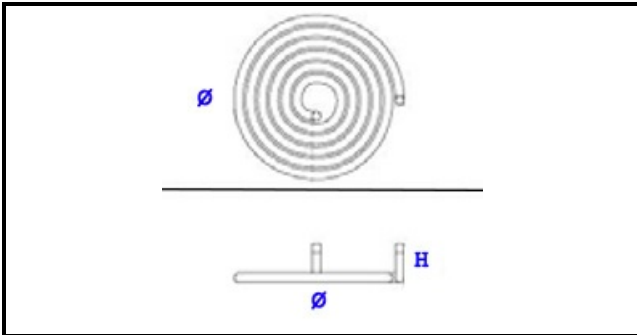
1101774

UNDER PLAN HEATING PLATES 1800 W 230 V WITH THERMOSTAT 128 ° C AND SAFETY 250 ° C

Date: 04-04-2025



Technical data



ELEMENTS	ELEMENTI/ELEMENTS=1
DIAMETER mm	$\varnothing=196\text{mm}$
KILOWATT KW	KW=1,8
WATT	WATT=1800
MONOPHASE	MONOFASE/MONOPHASE
NUMBER OF POLES	POLI/POLES=2
GASKET	2102542
DRY HEATING ELEMENT	SECCO/DRY