

1201033

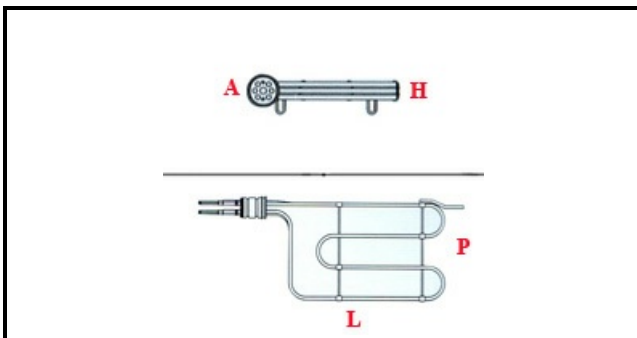
ROTATING HEATING ELEMENT CP76 13500W 3-230V (E)

Date: 06-04-2025



ORIGINAL
OSP
SPARE PARTS

Technical data



| | |
|-------------------------------|----------------------------------|
| DEPTH MM | L=375mm |
| WIDTH MM | P=220mm |
| HEIGHT MM | H=85mm |
| ELEMENTS | ELEMENTI/ELEMENTS=3 |
| ROUND FLANGE | TONDA/ROUND FLANGE=65mm |
| DIAMETER mm | A=65mm |
| KILOWATT KW | KW=13,5 |
| WATT | WATT=13500 |
| THREE PHASE | TRIFASE/THREEPHASE |
| NUMBER OF POLES | POLI/POLES=6 |
| IMMERSION HEATING ELEMENTS | IMMERSIONE/IMMERSION ELEMENTS |

Manufacturer code

LOTUS SPA

LOTUS SPA