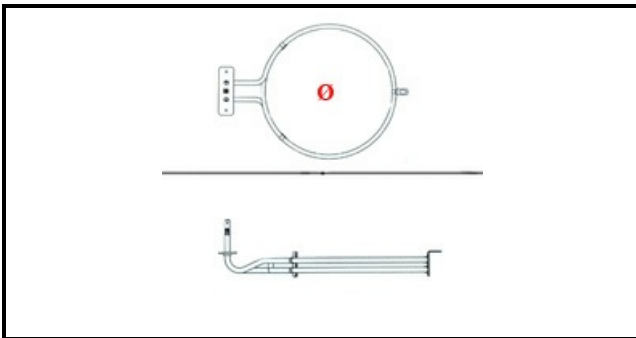


1101635

**HEATIN ELEMENT 400V-5670W**

Date: 27-02-2025

ORIGINAL  
**OSP**  
SPARE PARTS**Technical data**

ELEMENTS	ELEMENTI/ELEMENTS=2
SQUARE FLANGE	RETTANGOLARE/SQUARE FLANGE=80X45mm
DIAMETER mm	Ø=483mm
KILOWATT KW	KW=5,67
WATT	WATT=5670
THREE PHASE	TRIFASE/THREEPHASE
NUMBER OF POLES	POLI/POLES=4
NUMBER OF HOLES	FORI/HOLES=2
DRY HEATING ELEMENT	SECCO/DRY

**Manufacturer code**

ELECTROLUX PROFESSIONAL S.P.A.