

1101777

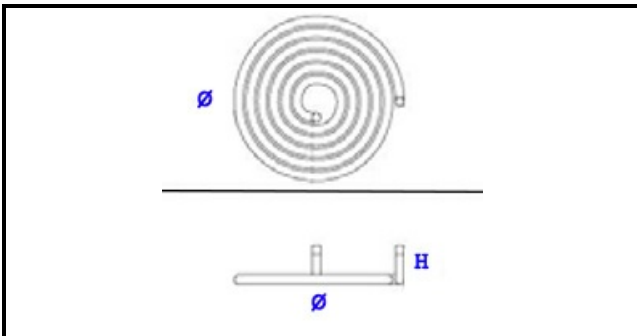
HEATING ELEMENT 3600W 400V X P.D.400

Date: 07-04-2025



ORIGINAL
OSP
SPARE PARTS

Technical data



ELEMENTS	ELEMENTI/ELEMENTS=1
DIAMETER mm	∅=400mm
KILOWATT KW	KW=3,6
WATT	WATT=3600
THREE PHASE	TRIFASE/THREEPHASE
NUMBER OF POLES	POLI/POLES=2
DRY HEATING ELEMENT	SECCO/DRY

Manufacturer code

OEM - ALI GROUP SRL A SOCIO UNICO