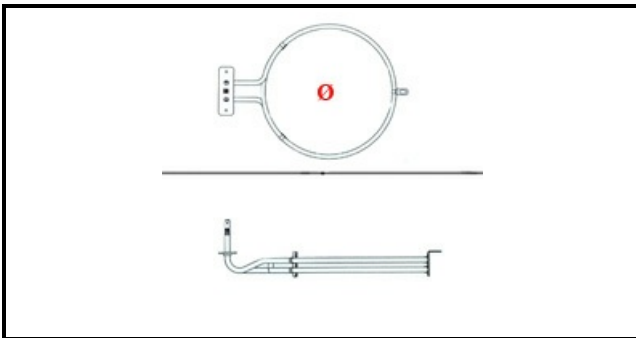


1101794

**OVEN HEATING ELEMENT 900W 230V**

Date: 23-02-2025

ORIGINAL  
**OSP**  
SPARE PARTS**Technical data**

DEPTH MM	L=260mm
HEIGHT MM	H=115mm
DIAMETER mm	Ø=11mm
KILOWATT KW	KW=0,9
WATT	WATT=900
MONOPHASE	MONOFASE/MONOPHASE
NUMBER OF POLES	POLI/POLES=2
DRY HEATING ELEMENT	SECCO/DRY
EXTERNAL DIAMETER mm	Ø=200mm