

1101823

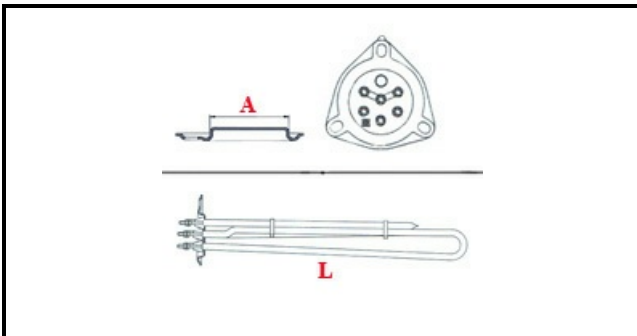
# HEATING ELEMENT FL57 / 6.5 4000W.220 / 380V

Date: 07-04-2025



ORIGINAL  
**OSP**  
SPARE PARTS

## Technical data



DEPTH MM	L=300mm
ELEMENTS	ELEMENTI/ELEMENTS=3
TRIANGULAR FLANGE	TRIANGOLARE/TRIANGULAR FLANGE=57mm
DIAMETER mm	A=57mm
KILOWATT KW	KW=4
WATT	WATT=4000
THREE PHASE	TRIFASE/THREEPHASE
NUMBER OF POLES	POLI/POLES=6
NUMBER OF HOLES	FORI/HOLES=3
GASKET	2101033
IMMERSION HEATING ELEMENTS	IMMERSIONE/IMMERSION

## Manufacturer code

BERTO'S SPA
HOONVED - ALI GROUP SRL A SOCIO UNICO
HOONVED - ALI GROUP SRL A SOCIO UNICO