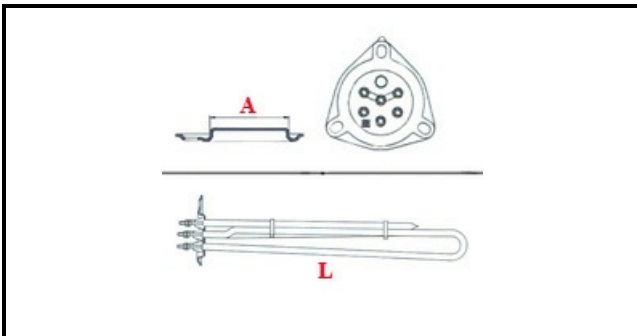


1101828

**HEATING ELEMENT 7500W 230V - 256V 9000W 380V**

Date: 01-11-2024

**Technical data**

|                               |                                       |
|-------------------------------|---------------------------------------|
| DEPTH MM                      | L=410mm                               |
| ELEMENTS                      | ELEMENTI/ELEMENTS=3                   |
| TRIANGULAR FLANGE             | TRIANGOLARE/TRIANGULAR<br>FLANGE=57mm |
| DIAMETER mm                   | A=57mm                                |
| KILOWATT KW                   | KW=7,5                                |
| WATT                          | WATT=7500                             |
| THREE PHASE                   | TRIFASE/THREEPHASE                    |
| NUMBER OF POLES               | POLI/POLES=6                          |
| NUMBER OF HOLES               | FORI/HOLES=3                          |
| GASKET                        | 2101033                               |
| IMMERSION HEATING<br>ELEMENTS | IMMERSIONE/IMMERSION                  |