

1101834

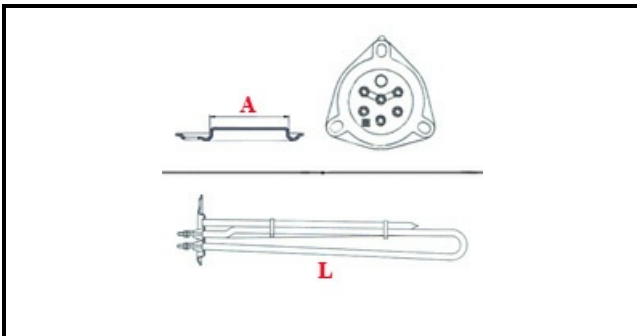
HEATING ELLEMENT PASTA COOKER 3.8 KW 230V

Date: 07-04-2025



ORIGINAL
OSP
SPARE PARTS

Technical data



DEPTH MM	L=250mm
ELEMENTS	ELEMENTI/ELEMENTS=3
TRIANGULAR FLANGE	TRIANGOLARE/TRIANGULAR FLANGE=57mm
DIAMETER mm	A=57mm
KILOWATT KW	KW=3,8
WATT	WATT=3800
THREE PHASE	TRIFASE/THREEPHASE
NUMBER OF POLES	POLI/POLES=3
NUMBER OF HOLES	FORI/HOLES=3
GASKET	2101033
IMMERSION HEATING ELEMENTS	IMMERSIONE/IMMERSION ELEMENTS

Manufacturer code

MODULAR PROFESSIONAL SRL