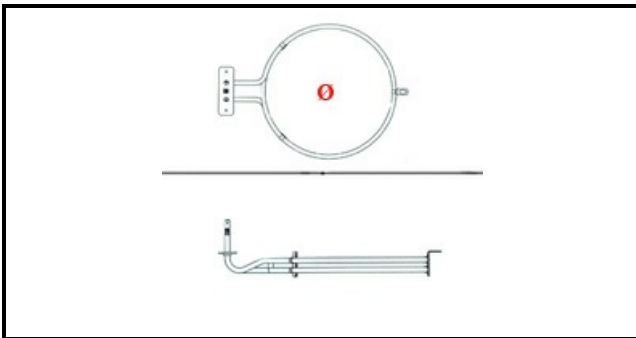


1101844

**CIRCULAR HEATING ELEMENT 1600W 230V D.195MM**

Date: 23-01-2025

**Technical data**

DEPTH MM	L=250mm
ELEMENTS	ELEMENTI/ELEMENTS=1
SQUARE FLANGE	RETTANGOLARE/SQUARE FLANGE=70X22mm
EXTERNAL DIAMETER mm	Ø=195mm
KILOWATT KW	KW=1,6
WATT	WATT=1600
MONOPHASE	MONOFASE/MONOPHASE
NUMBER OF POLES	POLI/POLES=2
NUMBER OF HOLES	FORI/HOLES=2
DRY HEATING ELEMENT	SECCO/DRY
INTERNAL DIAMETER mm	Ø=183mm