

1101867

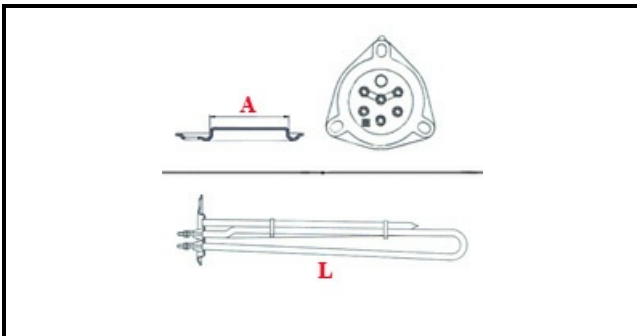
HEATING ELEMENT 10200W L=400MM

Date: 08-04-2025



ORIGINAL
OSP
SPARE PARTS

Technical data



DEPTH MM	L=400mm
ELEMENTS	ELEMENTI/ELEMENTS=3
TRIANGULAR FLANGE	TRIANGOLARE/TRIANGULAR FLANGE=47mm
DIAMETER mm	A=47mm
KILOWATT KW	KW=10,2
WATT	WATT=10200
THREE PHASE	TRIFASE/THREEPHASE
NUMBER OF POLES	POLI/POLES=6
NUMBER OF HOLES	FORI/HOLES=3
GASKET	2101032
IMMERSION HEATING ELEMENTS	IMMERSIONE/IMMERSION

Manufacturer code

MODULAR PROFESSIONAL SRL