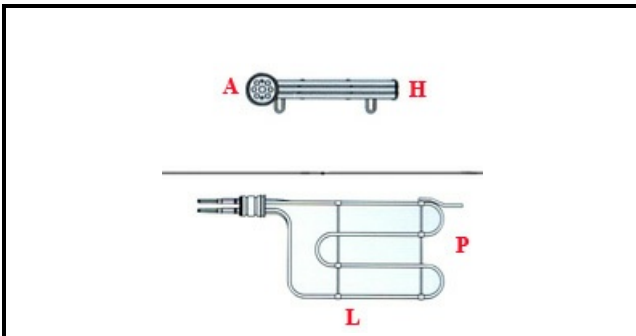


1201034

ROTATING HEATING ELEMENT 3300W 230V FS60-

Date: 01-11-2024

ORIGINAL
OSP
SPARE PARTS**Technical data**

DEPTH MM	L=300mm
WIDTH MM	P=170mm
HEIGHT MM	H=65mm
ELEMENTS	ELEMENTI/ELEMENTS=1
ROUND FLANGE	TONDA/ROUND FLANGE=65mm
DIAMETER mm	A=65mm
KILOWATT KW	KW=3,3
WATT	WATT=3300
MONOPHASE	MONOFASE/MONOPHASE
NUMBER OF POLES	POLI/POLES=2
GASKET	2101485
IMMERSION HEATING ELEMENTS	IMMERSIONE/IMMERSION
EXTERNAL DIAMETER mm	A=65mm

Manufacturer code

LOTUS SPA