

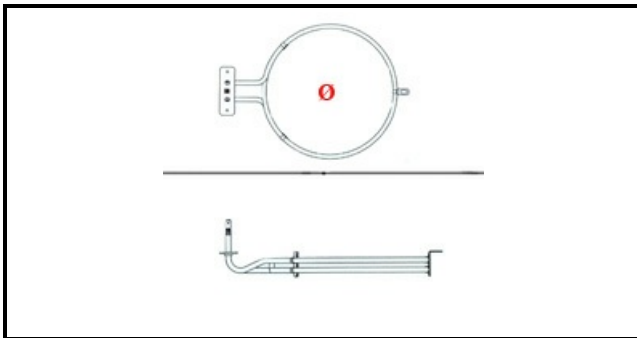
1201038

HEATING ELEMENT 2500W 230V

Date: 23-02-2025

ORIGINAL
OSP
SPARE PARTS

Technical data



HEIGHT MM	H=75mm
ELEMENTS	ELEMENTI/ELEMENTS=1
SQUARE FLANGE	RETTANGOLARE/SQUARE FLANGE=70X22mm
DIAMETER mm	Ø=190mm
KILOWATT KW	KW=2,5
WATT	WATT=2500
MONOPHASE	MONOFASE/MONOPHASE
NUMBER OF POLES	POLI/POLES=2
NUMBER OF HOLES	FORI/HOLES=2
DRY HEATING ELEMENT	SECCO/DRY
EXTERNAL DIAMETER mm	Ø=190mm
INTERNAL DIAMETER mm	Ø=180mm