

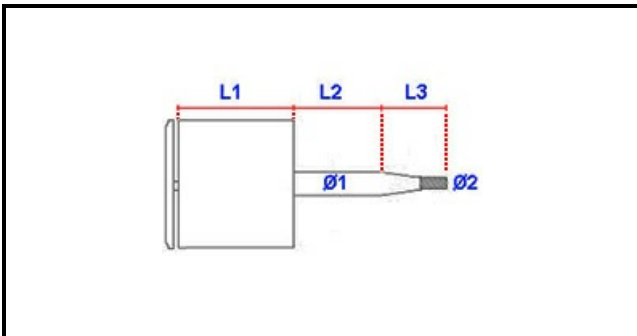
1103396

FAN MOTOR FEC060 1075.3162

Date: 04-04-2025



Technical data



| | |
|---------------------|--------------------|
| MOTOR LENGHT mm | L1=120mm |
| SHAFT LENGHT 1 mm | L2=77mm |
| SHAFT LENGHT 2 mm | L3=46mm |
| SHAFT DIAMETER mm | Ø1=15mm |
| KILOWATT KW | KW=0,37/0,07 |
| THREADED SHAFT | FILETTATO/THREADED |
| MONOPHASE | 230V |
| SHAFT DIAMETER 2 mm | Ø2=10mm |

Manufacturer code

| |
|-----------------------------|
| NIDEC FIR INTERNATIONAL SRL |
| NIDEC FIR INTERNATIONAL SRL |
| MBM- EUROTEC SRL - |
| MBM- EUROTEC SRL - |
| MBM- EUROTEC SRL - |