

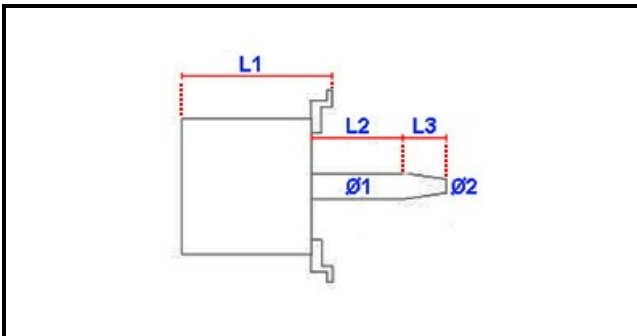
1103706

MOTOR 3042D2350 KW0,55/0,15 230V

Date: 11-04-2025



Technical data



MOTOR LENGHT mm	L1=150mm
SHAFT LENGHT 1 mm	L2=54mm
SHAFT LENGHT 2 mm	L3=48mm
SHAFT DIAMETER mm	Ø1=24mm
HP - POWER	HP=0,75
KILOWATT KW	KW=0,55/0,15
MONOPHASE	230V
SHAFT DIAMETER 2 mm	Ø2=20mm

Manufacturer code

NIDEC FIR INTERNATIONAL SRL