

1103823

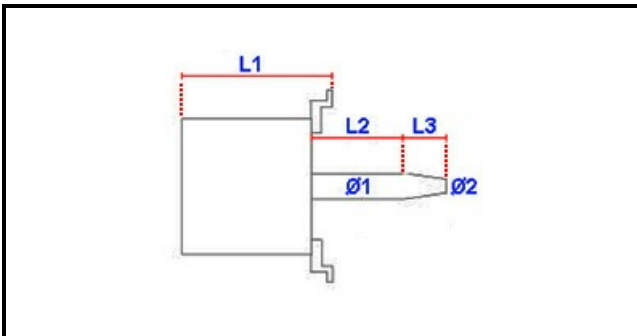
# MOTOR KIT KW 0.55 F1 4P 200-240V

Date: 11-04-2025



ORIGINAL  
**OSP**  
SPARE PARTS

## Technical data



MOTOR LENGHT mm	L1=150mm
SHAFT LENGHT 1 mm	L2=54mm
SHAFT LENGHT 2 mm	L3=48mm
SHAFT DIAMETER mm	Ø1=24mm
KILOWATT KW	KW=0,55
MONOPHASE	230V
CAPACITOR	20 mF
SHAFT DIAMETER 2 mm	Ø2=20mm

## Manufacturer code

LAINOX ALI GROUP SRL A SOCIO UNICO
NIDEC FIR INTERNATIONAL SRL
NIDEC FIR INTERNATIONAL SRL