

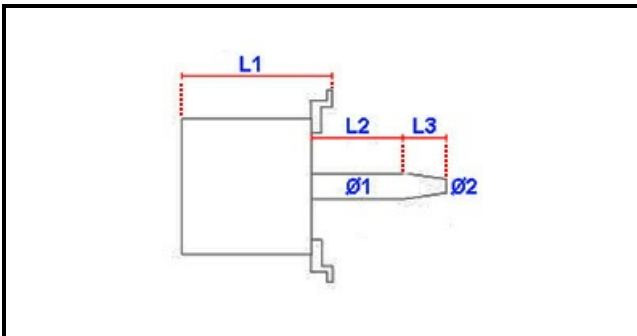
1103941

FAN MOTOR 200-240/415V 0,15/0,55KW 2 SPEED 3042

Date: 10-04-2025



Technical data



MOTOR LENGHT mm	L1=150mm
SHAFT LENGHT 1 mm	L2=53mm
SHAFT LENGHT 2 mm	L3=40mm
SHAFT DIAMETER mm	Ø1=24mm
HP - POWER	HP=0,74
KILOWATT KW	KW=0,15/0,55
THREE PHASE	400V
SHAFT DIAMETER 2 mm	Ø2=20mm

Manufacturer code

NIDEC FIR INTERNATIONAL SRL

LAINOX ALI GROUP SRL A SOCIO UNICO