

1103985

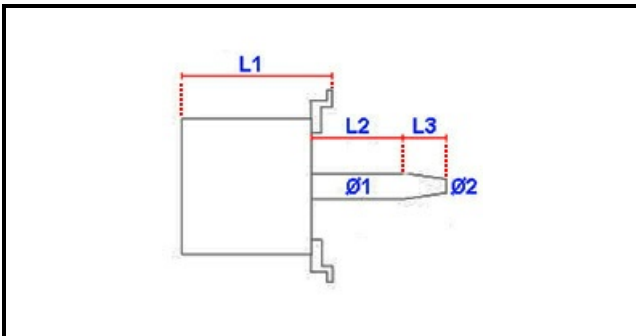
MOTOR 4/6P; 350W; 230V 50-60HZ

Date: 05-04-2025



ORIGINAL
OSP
SPARE PARTS

Technical data



MOTOR LENGHT mm	L1=167mm
SHAFT LENGHT 1 mm	L2=91mm
SHAFT LENGHT 2 mm	L3=35mm
SHAFT DIAMETER mm	Ø1=16mm
KILOWATT KW	KW=0,35
MONOPHASE	230V
SHAFT DIAMETER 2 mm	Ø2=10mm

Manufacturer code

ELECTROLUX PROFESSIONAL S.P.A.