

1105196

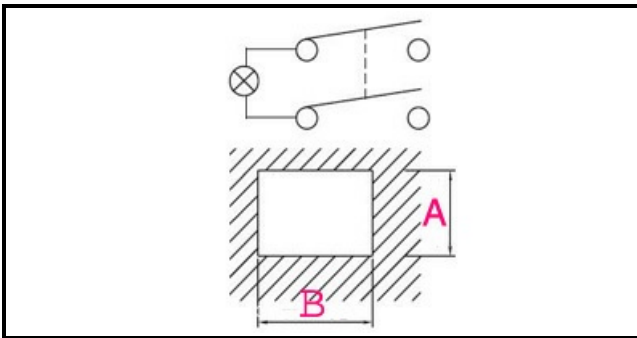
"RED SWITCH ""RESISTANCE"" 220/380 "

Date: 05-04-2025



ORIGINAL
OSP
SPARE PARTS

Technical data



DEPTH MM	B=27mm
WIDTH MM	A=22mm
NUMBER OF POLES	POLI/POLES=4
NUMBER OF POSITIONS	0-1
COLOR	NERO CON LED/BLACK WITH LED
VOLT	230V
VOLT	380V

Manufacturer code

CB SRL