

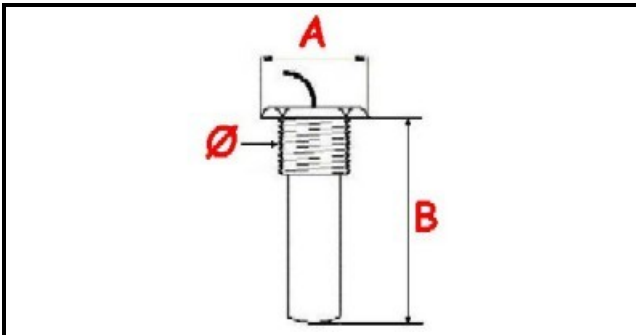
1106048

## ADJUSTABLE THERMOSTAT 70-170° SINGLE PHASE - SENSOR Ø14X30 mm CAPILLARY 1200mm

Date: 22-01-2025



### Technical data



MONOPHASE	MONOFASE/MONOPHASE
GAS THREAD	Ø=14mm
NUMBER OF POLES	POLI/POLES=2
MINIMUM TEMPERATURE °	T min=70°
MAXIMUM TEMPERATURE °	T max=170°
WIRE mm	L=800mm
PROBE DIAMETER MM	B=25mm
PROBE LENGHT MM	A=25mm
SHAFT mm	ALBERO/SHAFT=4X6mm