

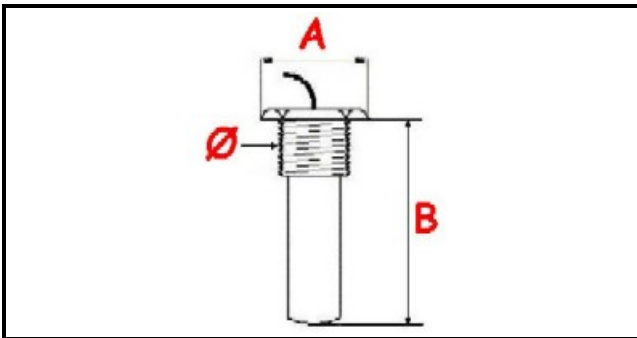
1106134

SINGLE-PHASE THERMOSTAT 30-90°C A.PO - SENSOR Ø 23,5X10 mm CAPILLARY 850mm

Date: 15-11-2024



Technical data



| | |
|-----------------------|---|
| MONOPHASE | MONOFASE/MONOPHASE |
| NUMBER OF POLES | POLI THERMOSTATO/THERMOSTAT POLES=2 |
| MINIMUM TEMPERATURE ° | T min=30° |
| MAXIMUM TEMPERATURE ° | T max=90° |
| WIRE mm | L=850mm |
| PROBE DIAMETER MM | A=31/23mm |
| PROBE LENGHT MM | B=10mm |
| SHAFT mm | ALBERO/SHAFT=4X6mm |
| NUMBER OF POLES | POLI INTERRUTTORE/SWITCH POLES=4 |

Manufacturer code

| |
|-----------------------------|
| ANGELO PO GRANDI CUCINE SPA |
| E.G.O. ELEKTRO GERATE AG |
| E.G.O. ELEKTRO GERATE AG |