

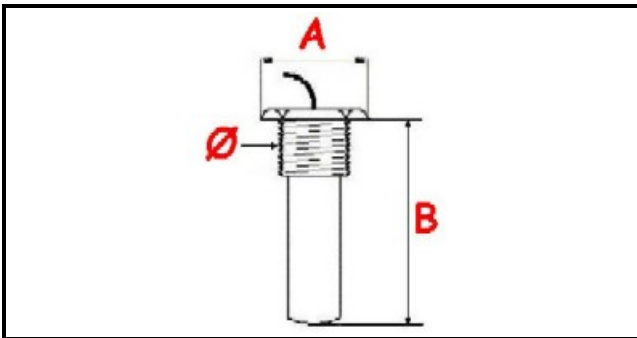
1106168

THERMOSTAT 105-185° A.PO SINGLE PHASE - SENSOR Ø 19X90 mm CAPILLARY 850mm

Date: 22-01-2025



Technical data



MONOPHASE	MONOFASE/MONOPHASE
GAS THREAD	Ø=21mm
NUMBER OF POLES	POLI THERMOSTATO/THERMOSTA POLES=2
MINIMUM TEMPERATURE °	T min=105°
MAXIMUM TEMPERATURE °	T max=185°
WIRE mm	L=850mm
PROBE DIAMETER MM	A=25mm
PROBE LENGHT MM	B=84mm
SHAFT mm	ALBERO/SHAFT=4X6mm
NUMBER OF POLES	POLI INTERRUTTORE/SWITCH POLES=8

Manufacturer code

ANGELO PO GRANDI CUCINE SPA

E.G.O. ELEKTRO GERATE AG