

1105419

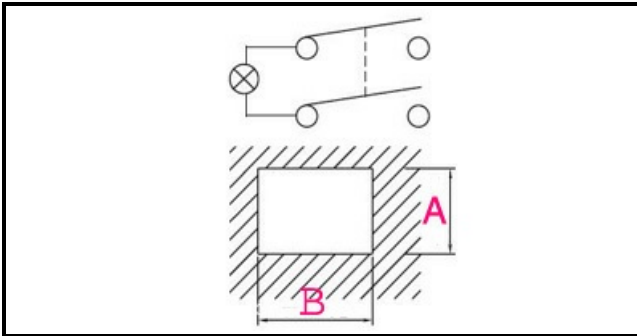
CM BIPOLAR SWITCH E0091

Date: 17-04-2025



ORIGINAL
OSP
SPARE PARTS

Technical data



DEPTH MM	B=25mm
WIDTH MM	A=20mm
DIAMETER mm	Ø=16mm
NUMBER OF POLES	POLI/POLES=4
NUMBER OF POSITIONS	0-1
COLOR	ARGENTO/SILVER
VOLT	230V

Manufacturer code

FABA SRL