

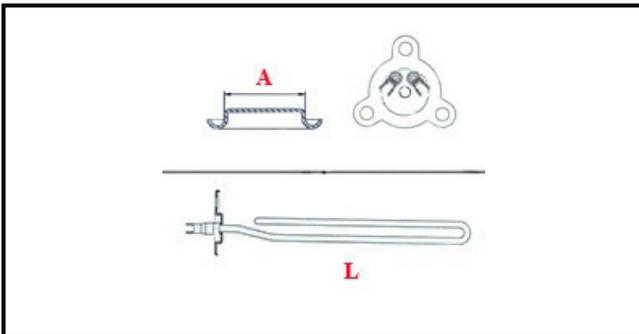
1101017

BOILER HEATING ELEMENT 2700W 230V +OR

Date: 27-01-2025



Technical data



DEPTH MM	L=290mm
ELEMENTS	ELEMENTI/ELEMENTS=1
TRIANGULAR FLANGE	TRIANGOLARE/TRIANGULAR FLANGE=37mm
DIAMETER mm	A=37mm
KILOWATT KW	KW=2,6
WATT	W=2600
MONOPHASE	MONOFASE/MONOPHASE
NUMBER OF POLES	POLI/POLES=2
NUMBER OF HOLES	FORI/HOLES=3
GASKET	2101031
IMMERSION HEATING ELEMENTS	IMMERSIONE/IMMERSION

Manufacturer code

KRUPPS S.R.L.
HOONVED - ALI GROUP SRL A SOCIO UNICO
HOONVED - ALI GROUP SRL A SOCIO UNICO
HOONVED - ALI GROUP SRL A SOCIO UNICO
SIMONELLI GROUP SPA
RANCILIO GROUP SPA CON SOCIO UNICO
SILANOS SRL

SILANOS SRL