

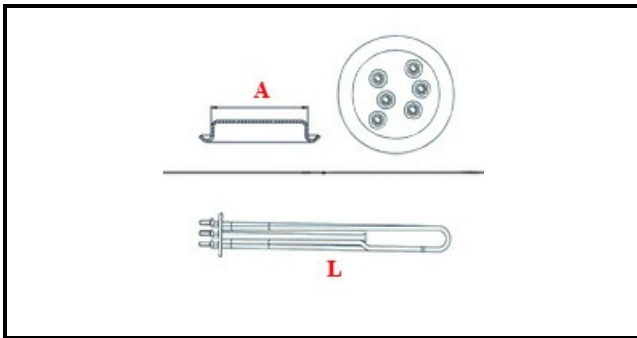
1101063

# HEATING ELEMENT 6000W N.T. ATA 6205

Date: 27-02-2025



## Technical data



|                               |                                  |
|-------------------------------|----------------------------------|
| DEPTH MM                      | L=475mm                          |
| ELEMENTS                      | ELEMENTI/ELEMENTS=3              |
| ROUND FLANGE                  | TONDA/ROUND<br>FLANGE=47mm       |
| DIAMETER mm                   | A=47mm                           |
| KILOWATT KW                   | KW=6,0                           |
| WATT                          | WATT=6000                        |
| THREE PHASE                   | TRIFASE/THREEPHASE               |
| NUMBER OF POLES               | POLI/POLES=6                     |
| GASKET                        | 2101032                          |
| IMMERSION HEATING<br>ELEMENTS | IMMERSIONE/IMMERSION<br>ELEMENTS |

## Manufacturer code

A.T.A. SRL