

1101078

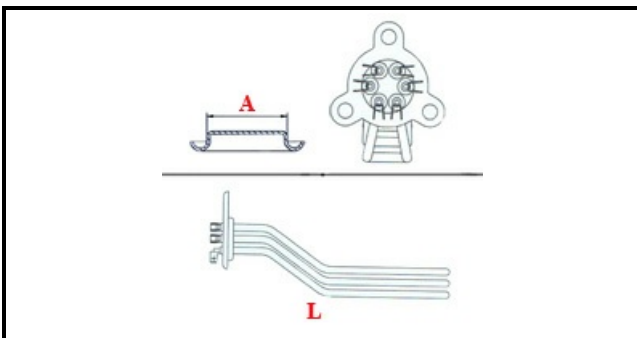
BOILER HEATING ELEMENT 4500W 230V+OR

Date: 06-04-2025



ORIGINAL
OSP
SPARE PARTS

Technical data



| | |
|-------------------------------|---------------------------------------|
| DEPTH MM | L=365mm |
| ELEMENTS | ELEMENTI/ELEMENTS=3 |
| TRIANGULAR FLANGE | TRIANGOLARE/TRIANGULAR FLANGE=37mm |
| DIAMETER mm | A=37mm |
| KILOWATT KW | KW=4,5 |
| WATT | WATT=4500 |
| THREE PHASE | TRIFASE/THREEPHASE |
| NUMBER OF POLES | POLI/POLES=6 |
| NUMBER OF HOLES | FORI/HOLES=3 |
| GASKET | 2101031 |
| IMMERSION HEATING ELEMENTS | IMMERSIONE/IMMERSION ELEMENTS |

Manufacturer code

SILANOS SRL