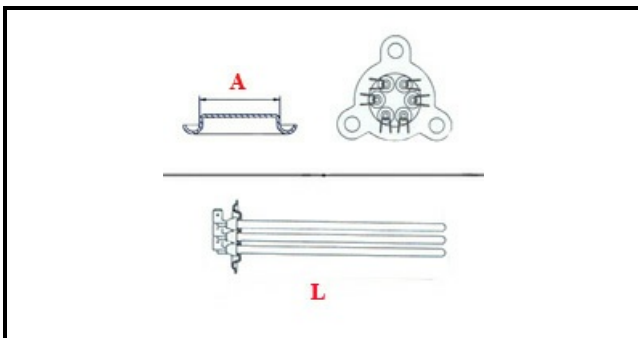


1101230

HEATING ELEMENT 220V 4500W

Date: 22-12-2024

ORIGINAL
OSP
SPARE PARTS**Technical data**

| | |
|-------------------------------|---------------------------------------|
| DEPTH MM | L=270mm |
| ELEMENTS | ELEMENTI/ELEMENTS=3 |
| TRIANGULAR FLANGE | TRIANGOLARE/TRIANGULAR FLANGE=62mm |
| DIAMETER mm | A=62mm |
| KILOWATT KW | KW=4,5 |
| WATT | WATT=4500 |
| THREE PHASE | TRIFASE/THREEPHASE |
| NUMBER OF POLES | POLI/POLES=6 |
| NUMBER OF HOLES | FORI/HOLES=3 |
| GASKET | 2101058 |
| IMMERSION HEATING ELEMENTS | IMMERSIONE/IMMERSION |

Manufacturer code

ARISTARCO / KASTEL S.P.A.

ARISTARCO / KASTEL S.P.A.