

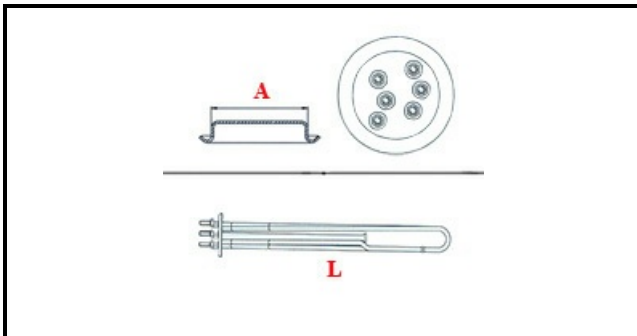
1101281

## HEATING ELEMENT 7500W

Date: 22-11-2024

ORIGINAL  
**OSP**  
SPARE PARTS

### Technical data



DEPTH MM	L=370mm
ELEMENTS	ELEMENTI/ELEMENTS=3
ROUND FLANGE	TONDA/ROUND FLANGE=57mm
DIAMETER mm	A=57mm
KILOWATT KW	KW=7,5
WATT	WATT=7500
THREE PHASE	TRIFASE/THREEPHASE
NUMBER OF POLES	POLI/POLES=6
GASKET	2101033
IMMERSION HEATING ELEMENTS	IMMERISONE/IMMERSION

### Manufacturer code

LAINOX ALI GROUP SRL A SOCIO UNICO

SILKO ALI GROUP SRL A SOCIO UNICO

LAINOX ALI GROUP SRL A SOCIO UNICO