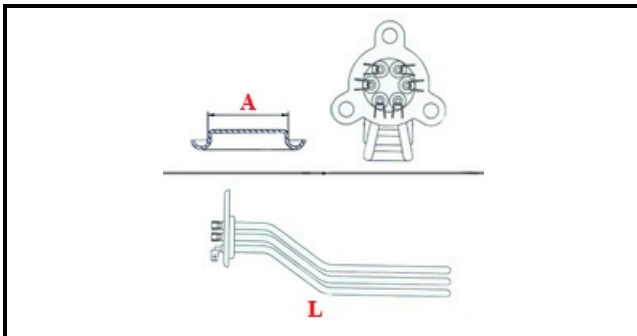


1101464

BOILER HEATING ELEMENT 3,5KW 230V

Date: 29-01-2025

ORIGINAL
OSP
SPARE PARTS**Technical data**

DEPTH MM	L=370mm
ELEMENTS	ELEMENTI/ELEMENTS=3
TRIANGULAR FLANGE	TRIANGOLARE/TRIANGULAR FLANGE=38mm
DIAMETER mm	A=38mm
KILOWATT KW	KW=3,5
WATT	WATT=3500
THREE PHASE	TRIFASE/THREEPHASE
NUMBER OF POLES	POLI/POLES=6
NUMBER OF HOLES	FORI/HOLES=3
GASKET	2101031
IMMERSION HEATING ELEMENTS	IMMERSIONE/IMMERSION

Manufacturer code

SILANOS SRL