

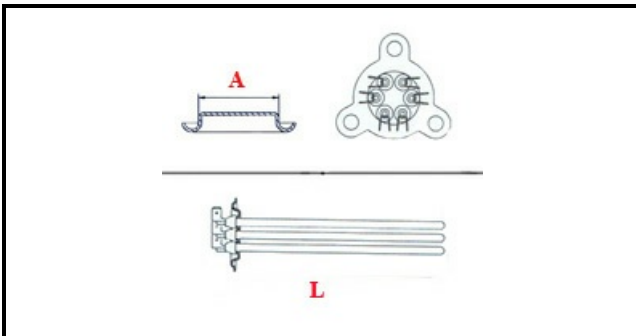
1101471

# HEATING ELEMENT 7000W 230/400V FASTON

Date: 23-11-2024

ORIGINAL  
**OSP**  
SPARE PARTS

## Technical data



DEPTH MM	L=350mm
ELEMENTS	ELEMENTI/ELEMENTS=3
TRIANGULAR FLANGE	TRIANGOLARE/TRIANGULAR FLANGE=57mm
DIAMETER mm	A=57mm
KILOWATT KW	KW=7
WATT	WATT=7000
THREE PHASE	TRIFASE/THREEPHASE
NUMBER OF POLES	POLI/POLES=6
NUMBER OF HOLES	FORI/HOLES=3
GASKET	2101033
IMMERSION HEATING ELEMENTS	IMMERISIONE/IMMERSION

## Manufacturer code

COMENDA - ALI GROUP SRL A SOCIO UNICO