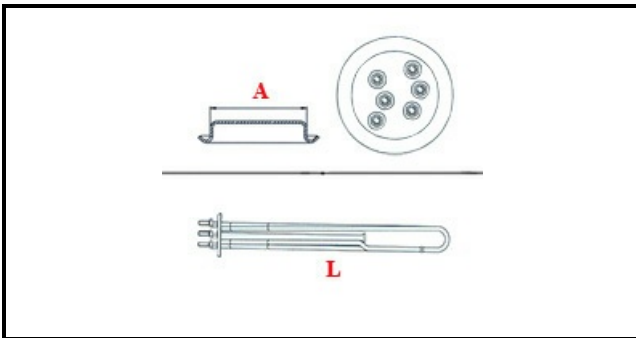


1101541

BOILER HEATING ELEMENT 6KW

Date: 22-12-2024

ORIGINAL
OSP
SPARE PARTS**Technical data**

DEPTH MM	L=355mm
ELEMENTS	ELEMENTI/ELEMENTS=3
ROUND FLANGE	TONDA/ROUND FLANGE=47mm
DIAMETER mm	A=47mm
KILOWATT KW	KW=6
WATT	WATT=6000
THREE PHASE	TRIFASE/THREEPHASE
NUMBER OF POLES	POLI/POLES=6
GASKET	2101032
IMMERSION HEATING ELEMENTS	IMMERSIONE/IMMERSION

Manufacturer code

ANGELO PO GRANDI CUCINE SPA

UNIVERBAR SRL A SOCIO UNICO