

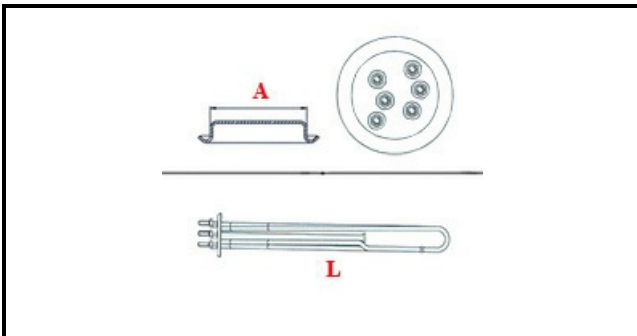
1201002

# HEATING ELEMENT

Date: 22-11-2024

ORIGINAL  
**OSP**  
SPARE PARTS

## Technical data



|                               |                            |
|-------------------------------|----------------------------|
| DEPTH MM                      | L=425mm                    |
| ELEMENTS                      | ELEMENTI/ELEMENTS=3        |
| ROUND FLANGE                  | TONDA/ROUND<br>FLANGE=63mm |
| INTERAX mm                    | INTERASSE/INTERAX=82mm     |
| DIAMETER mm                   | A=63mm                     |
| KILOWATT KW                   | KW=6                       |
| WATT                          | W=6000                     |
| THREE PHASE                   | TRIFASE/THREEPHASE         |
| NUMBER OF POLES               | POLI/POLES=6               |
| NUMBER OF HOLES               | FORI/HOLES=6               |
| GASKET                        | 2101783                    |
| IMMERSION HEATING<br>ELEMENTS | IMMERSIONE/IMMERSION       |
| EXTERNAL DIAMETER mm          | Ø=98mm                     |

## Manufacturer code

FAGOR INDUSTRIALE S.R.L.

FAGOR INDUSTRIALE S.R.L.