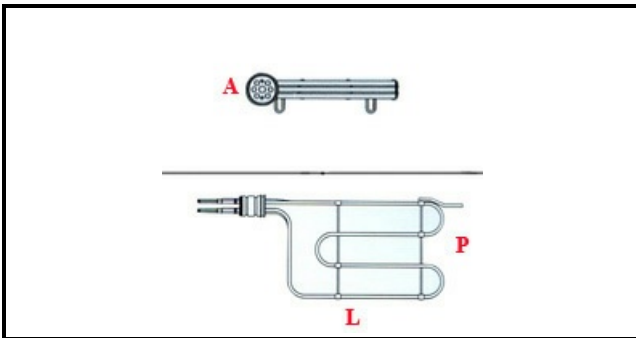


1201013

HEATING ELEMENT CP90 13500W 3-230V (E)

Date: 06-02-2025

ORIGINAL
OSP
SPARE PARTS**Technical data**

| | |
|-------------------------------|----------------------------|
| DEPTH MM | L=462mm |
| WIDTH MM | P=188mm |
| ELEMENTS | ELEMENTI/ELEMENTS=3 |
| ROUND FLANGE | TONDA/ROUND FLANGE=54mm |
| DIAMETER mm | A=54mm |
| KILOWATT KW | KW=13,5 |
| WATT | W=13500 |
| THREE PHASE | TRIFASE/THREEPHASE |
| NUMBER OF POLES | POLI/POLES=6 |
| IMMERSION HEATING ELEMENTS | IMMERSIONE/IMMERSION |

Manufacturer code

| |
|-----------|
| LOTUS SPA |
| LOTUS SPA |