

1201128

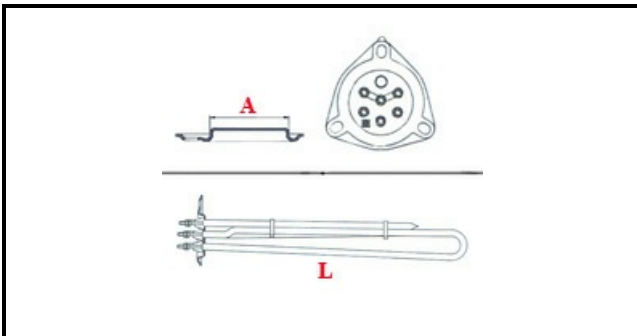
HEATING ELEMENT 14000W 240/415V-12KW220

Date: 27-02-2025



ORIGINAL
OSP
SPARE PARTS

Technical data



DEPTH MM	L=620mm
WIDTH MM	A=57mm
ELEMENTS	ELEMENTI/ELEMENTS=3
TRIANGULAR FLANGE	TRIANGOLARE/TRIANGULAF FLANGE=57mm
DIAMETER mm	A=57mm
KILOWATT KW	KW=14
WATT	WATT=14000
THREE PHASE	TRIFASE/THREEPHASE
NUMBER OF POLES	POLI/POLES=6
NUMBER OF HOLES	FORI/HOLES=3
GASKET	2101033
IMMERSION HEATING ELEMENTS	IMMERSIONE/IMMERSION