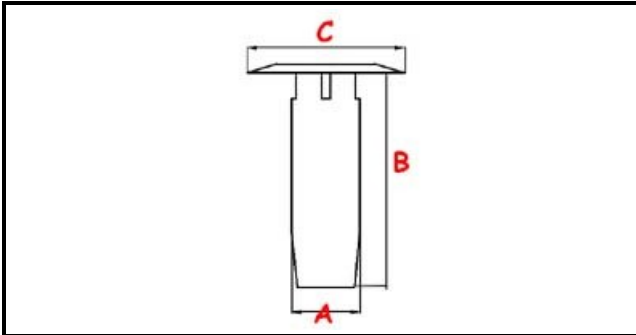


3111108

**OVERFLOW ECORINS AC/ACR (380863)**

Date: 09-01-2025

ORIGINAL  
**OSP**  
SPARE PARTS**Technical data**

HEIGHT MM	B=155mm
MATERIAL	INOX
UPPER DIAMETER	C=65mm
LOWER DIAMETER	A=36mm

**Manufacturer code**

COMENDA - ALI GROUP SRL A SOCIO UNICO