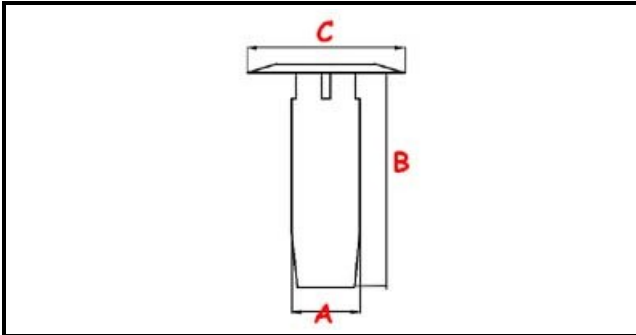


3111236

OVERFLOW EDI 2° H=554

Date: 05-12-2024

ORIGINAL
OSP
SPARE PARTS**Technical data**

HEIGHT MM	B=545mm
GASKET	2102106
MATERIAL	INOX
UPPER DIAMETER	C=35mm
LOWER DIAMETER	A=37mm

Manufacturer code

HOONVED - ALI GROUP SRL A SOCIO UNICO