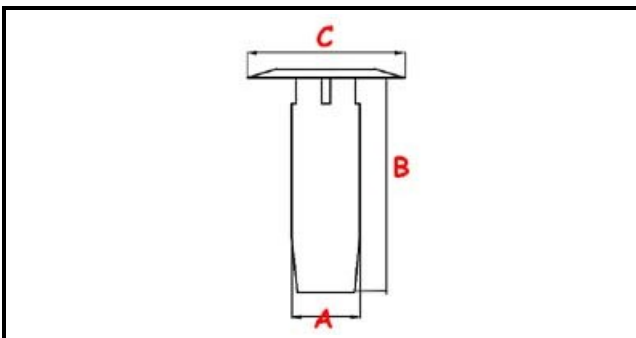


3111251

OVERFLOW

Date: 23-12-2024

ORIGINAL
OSP
SPARE PARTS**Technical data**

HEIGHT MM	B=200mm
GASKET	2101399
MATERIAL	PLASTICA/PLASTIC
UPPER DIAMETER	C=60mm
LOWER DIAMETER	A=34mm

Manufacturer code

ELETTOBAR EUROTEC SRL