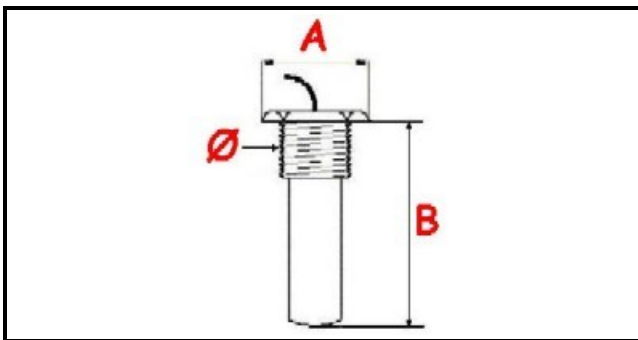


1106012

**ADJUSTABLE THERMOSTAT 30-90 ° SINGLE PHASE -SENSOR Ø  
17X48 mm CAPILLARY 600mm**

Date: 21-11-2024

**Technical data**

MONOPHASE	MONOFASE/MONOPHASE
GAS THREAD	Ø=17mm
NUMBER OF POLES	POLI/POLES=3
MAXIMUM TEMPERATURE °	T max=50°
PROBE DIAMETER MM	A=21mm
PROBE LENGHT MM	B=48mm
GASKET	2102214
NUT	1141248

**Manufacturer code**

SILANOS SRL