

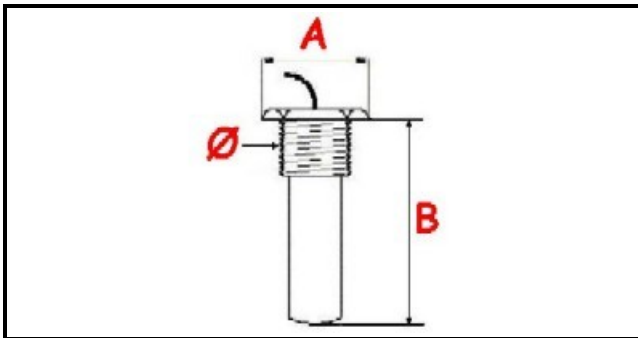
1106352

TANK THERMOSTAT 50° SINGLE PHASE KIT DRT141

Date: 22-11-2024

ORIGINAL
OSP
SPARE PARTS

Technical data



| | |
|-----------------------|--------------------|
| MONOPHASE | MONOFASE/MONOPHASE |
| GAS THREAD | Ø=14mm |
| NUMBER OF POLES | POLI/POLES=3 |
| MINIMUM TEMPERATURE ° | T min=0° |
| MAXIMUM TEMPERATURE ° | T max=50° |
| WIRE mm | L=600mm |
| PROBE DIAMETER MM | A=22mm |
| PROBE LENGHT MM | B=32mm |

Manufacturer code

ELETTOBAR EUROTEC SRL

ELETTOBAR EUROTEC SRL