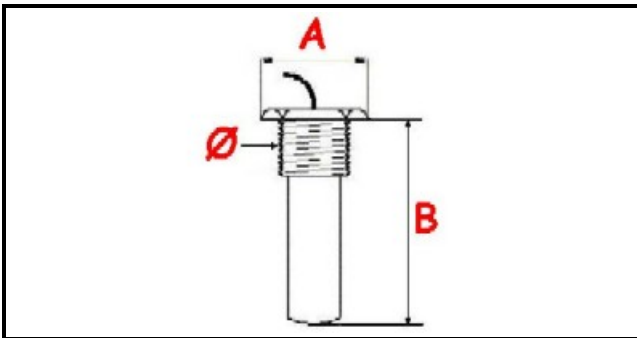


1106847

THERMOSTAT 53° 230V WIRE 600MM

Date: 29-01-2025

ORIGINAL
OSP
SPARE PARTS**Technical data**

MONOPHASE	MONOFASE/MONOPHASE
GAS THREAD	Ø=14mm
NUMBER OF POLES	POLI/POLES=4
MAXIMUM TEMPERATURE °	Tmax=53°C
WIRE mm	L=500mm
PROBE DIAMETER MM	B=11mm
PROBE LENGHT MM	A=37mm