

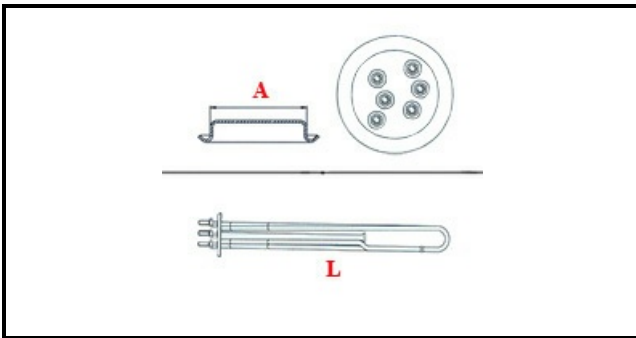
1101063

# HEATING ELEMENT 6000W N.T. ATA 6205

Date: 22-12-2024



## Technical data



DEPTH MM	L=475mm
ELEMENTS	ELEMENTI/ELEMENTS=3
ROUND FLANGE	TONDA/ROUND FLANGE=47mm
DIAMETER mm	A=47mm
KILOWATT KW	KW=6,0
WATT	WATT=6000
THREE PHASE	TRIFASE/THREEPHASE
NUMBER OF POLES	POLI/POLES=6
GASKET	2101032
IMMERSION HEATING ELEMENTS	IMMERSIONE/IMMERSION ELEMENTS

## Manufacturer code

A.T.A. SRL