

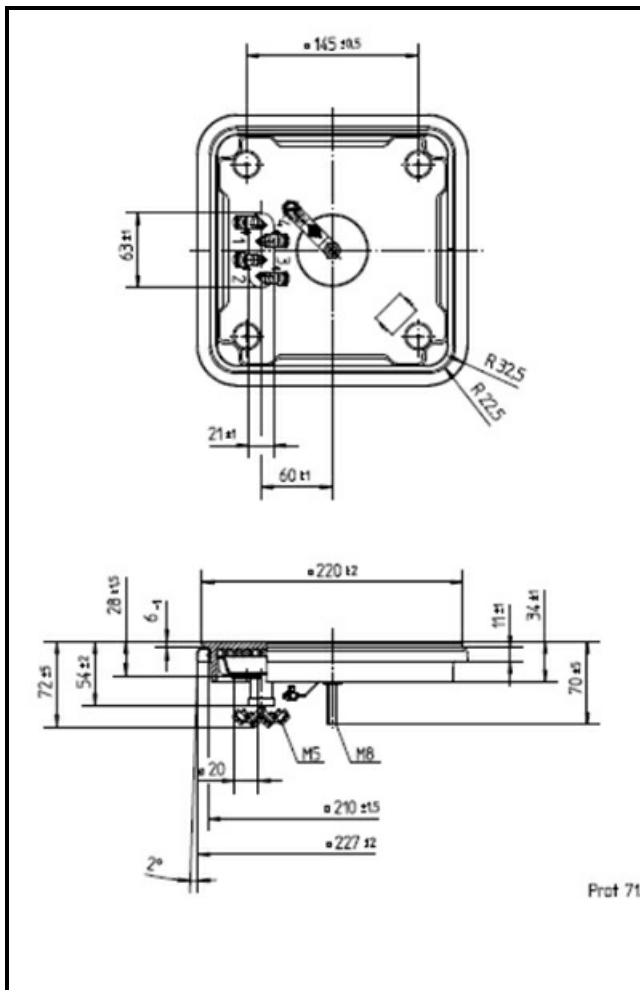
1101896

HOT PLATE 220x220mm 2600 W 400 V

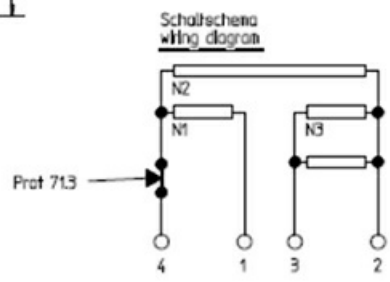
Date: 22-11-2024



Technical data



DEPTH MM	A=220mm
WIDTH MM	B=220mm
KILOWATT KW	KW=2,6
WATT	WATT=2600
THREE PHASE	TRIFASE/THREEPHASE
DRY HEATING ELEMENT	SECCO/DRY



Manufacturer code

ELECTROLUX PROFESSIONAL S.P.A.

ANGELO PO GRANDI CUCINE SPA

OLIS ALI GROUP SRL A SOCIO UNICO

E.G.O. ELEKTRO GERATE AG

LOTUS SPA
