

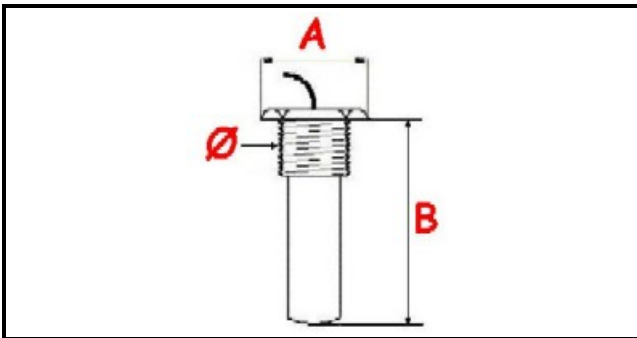
1106168

# THERMOSTAT 105-185° A.PO SINGLE PHASE - SENSOR Ø 19X90 mm CAPILLARY 850mm

Date: 14-03-2025



## Technical data



|                       |  |
|-----------------------|--|
| MONOPHASE             | MONOFASE/MONOPHASE                       |
| GAS THREAD            | Ø=21mm                                   |
| NUMBER OF POLES       | POLI<br>THERMOSTATO/THERMOSTA<br>POLES=2 |
| MINIMUM TEMPERATURE ° | T min=105°                               |
| MAXIMUM TEMPERATURE ° | T max=185°                               |
| WIRE mm               | L=850mm                                  |
| PROBE DIAMETER MM     | A=25mm                                   |
| PROBE LENGHT MM       | B=84mm                                   |
| SHAFT mm              | ALBERO/SHAFT=4X6mm                       |
| NUMBER OF POLES       | POLI<br>INTERRUTTORE/SWITCH<br>POLES=8   |

## Manufacturer code

ANGELO PO GRANDI CUCINE SPA

E.G.O. ELEKTRO GERATE AG